

Test Project for Austraskills
Competition in Salzburg, Austria 2021

Metal Roofing		Drawing No: 4-1	
Scale: 1/dt v	Date: August 2021	Paper: A3	OR
Drawn / Design by: Peer Marcel		Rev: 07.2021 rg	Page:
Description: TP details and measures chimney			



1 2 3 4 5 6 7 8 9 10

1 2 3 4 5 6 7 8 9 10

A A

B B

C C

D D

E E

F F

1 2 3 4 5 6 7 8 9 10

A

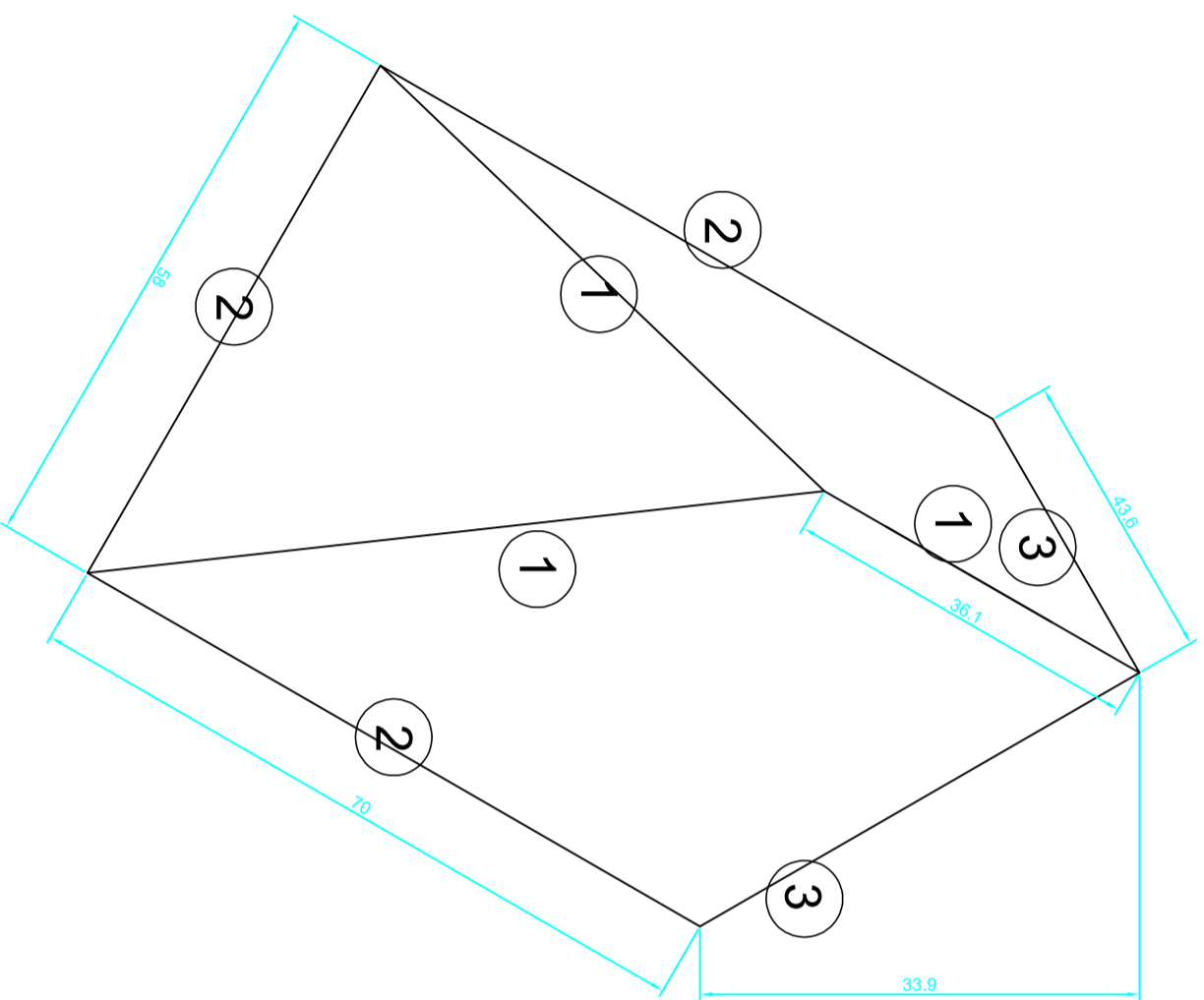
B

C

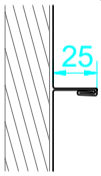
D

E

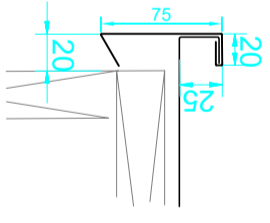
F



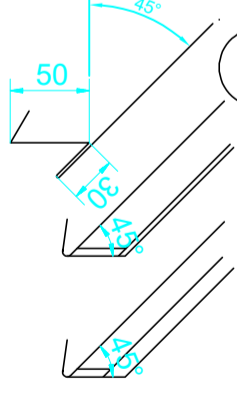
1



3



2



Test Project for Austraskills
Competition in Salzburg, Austria 2021

Metal Roofing		Drawing No: 4-1	
Scale: 1/dt v	Date: August 2021	Paper: A3	OR
Drawn / Design by: Peer Marcel		Rev: 07.2021 rg	Page:
Description: TP details and measures hipped roof			

F

E

D

C

B

A

1 2 3 4 5 6 7 8 9 10

1 2 3 4 5 6 7 8 9 10

A

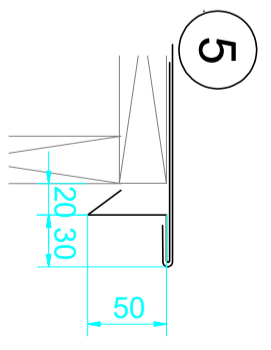
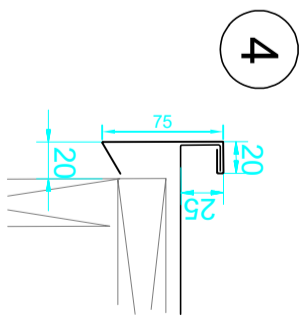
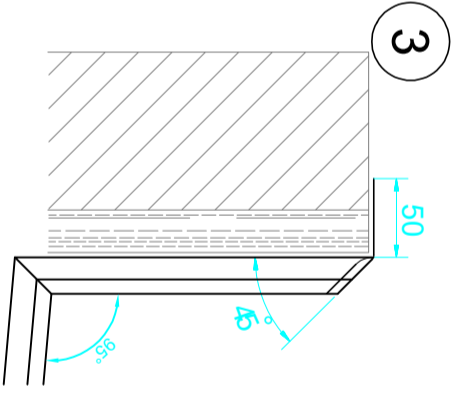
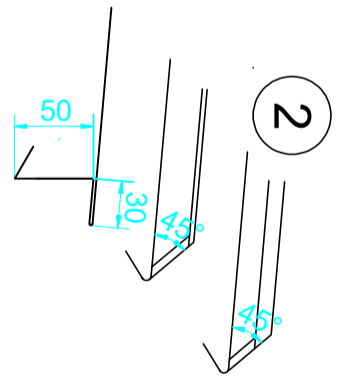
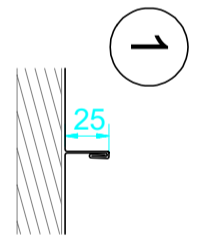
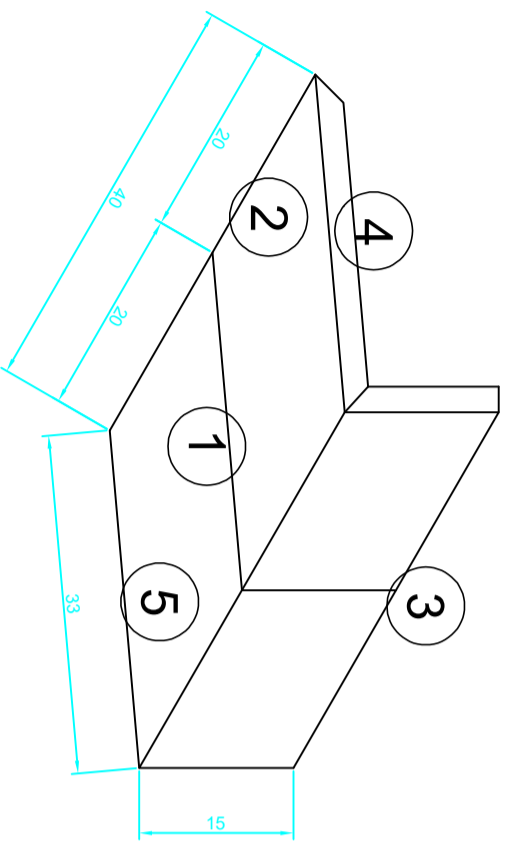
B

C

D

E

F



Test Project for Austraskills
Competition in Salzburg, Austria 2021

Metal Roofing		Drawing No: 4-1	
Scale: 1/dt v	Date: August 2021	Paper: A3	OR
Drawn / Design by: Peer Marcel		Rev: 07.2021 tg	Page:
Description: TP details and measures wall connection			

F

E

D

C

B

A

1 2 3 4 5 6 7 8 9 10